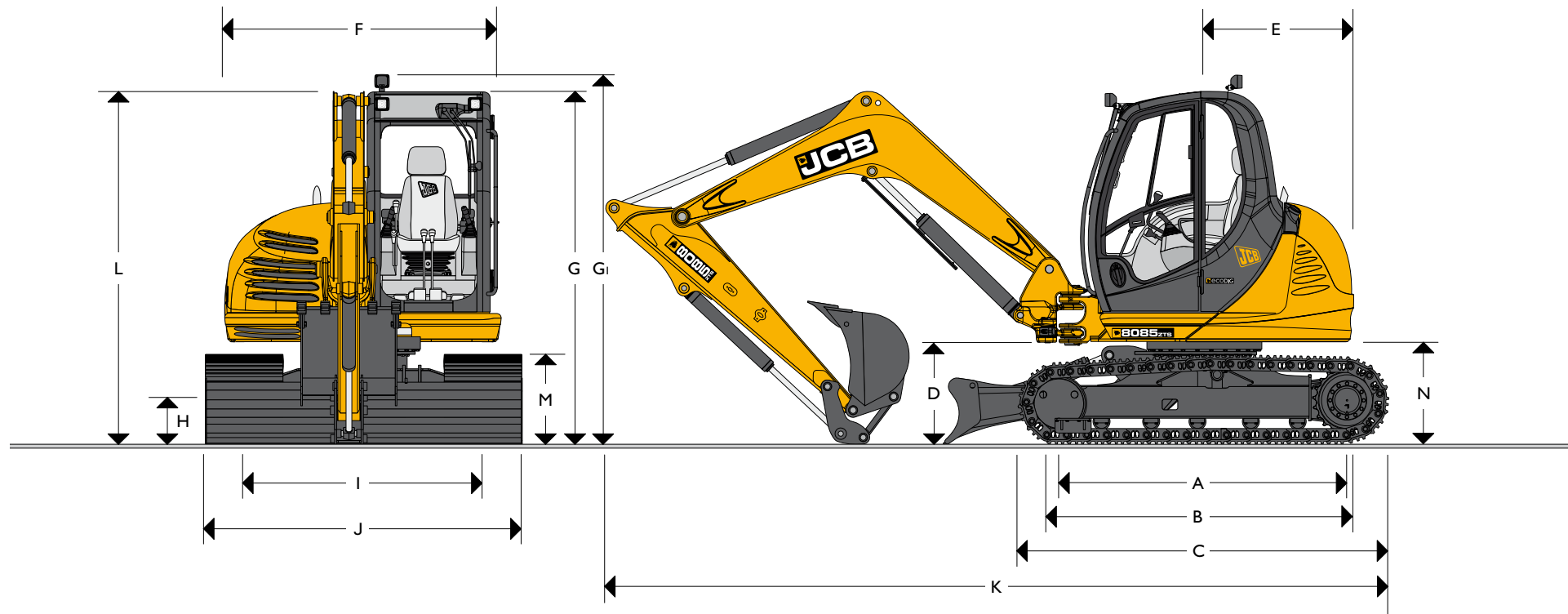




OPERATING WEIGHT: 8026 kg (17694 lbs) NETT ENGINE POWER: 39.5 kW (53 hp)



## STATIC DIMENSIONS

	mm (ft-in)		mm (ft-in)
A Sprocket idler centres	2280 (7-6)	GI Height over cab - work lights	2830 (9-3)
B Track length on ground	2200 (7-3)	H Ground clearance	363 (1-2)
C Undercarriage overall length – rubber	2830 (9-3)	I Track gauge	1850 (6-1)
Undercarriage overall length – steel	2830 (9-3)	J Width over tracks (450 shoes)	2300 (7-7)
D Kingpost clearance	741 (2-5)	K Transport length with standard dipper	6060 (19-11)
E Tailswing radius	1160 (3-10)	L Transport height with standard dipper	2840 (9-4)
F Overall width of superstructure	2135 (7-0)	M Track height	665 (2-2)
G Height over cab	2719 (8-11)	N Counter weight clearance	767 (2-6)



**ENGINE**

Model		Tier 3 4LE2X
Fuel		Diesel
Cooling		Water cooled
Net power	kW(hp) @ 2200 rpm	39.5 (53.0)
Gross power	kW(hp) @ 2200 rpm	43 (57.6)
Gross torque	Nm(lbf ft) @ 1600 rpm	220 (162)
Displacement	cc	2179
Gradability	degrees	35
Starter motor	kW(hp)	2.2 (3)
Battery	volt/amps	12/680
Alternator	volt/amps	12/80

**UNDERCARRIAGE**

No of top rollers		1
No of bottom rollers		5
Track width	mm (in)	400 (16)
Track width (optional)	mm (in)	600 (24)
Ground clearance	mm (in)	363 (14¼)
Track tensioning		Grease
Travel speed - low	kph (mph)	3.6 (2.2)
Travel speed - high	kph (mph)	4.2 (2.6)
Tractive effort	kN (lbf)	52.9 (11892)

**HYDRAULIC SYSTEM**

Max. flow	lpm (US gal/min)	170 (37.4)
Excavator/track main relief	bar (psi)	300 (4351)
Slew main relief	bar (psi)	226 (3278)
Auxiliary low flow	lpm (US gal/min)	25 (6.6)
Auxiliary high flow	lpm (US gal/min)	80 (21.1)

Hydraulic systems – A variable flow load sensing system with flow on demand and servo operated, multi-function open centre control. A nine spool control valve with auxiliary service spool is standard (2nd auxiliary optional with 10 spool block). The hydraulic components are protected by a high standard of filtration to ensure long hydraulic fluid and component life.

**MACHINE WEIGHT**

	Weights kg (lb)	Ground bearing pressure kg/cm <sup>2</sup> (lb/sq in)
Operating weight* (450mm Rubber tracks)	8026 (17694.0)	0.40 (5.67)
Transport weight (450mm Rubber tracks)	7951 (17529)	0.40 (5.67)
With FOGS guard – Stage 1	+48 (106)	0.41 (5.83)
With FOGS guard – Stage 2	+56 (124)	0.41 (5.83)
With steel tracks (450mm)	+136 (300)	0.41 (5.83)
With steel tracks (600mm)	+342 (754)	0.31 (4.41)
With offset steel tracks (450mm)	+136 (300)	0.41 (5.83)
With Bridgestone Geogrips	+108 (238)	0.41 (5.83)
With wide dozer (2450mm)	+10 (22)	0.31 (4.41)
With offset dozer (2150mm)	-6 (13)	0.41 (5.83)

\*Operating weight to ISO 6016 including, rubber tracks, 460mm (18in) bucket, full tanks and a 75kg (165lb) operator.

**OPERATOR ENVIRONMENT**

		External	Internal
Cab/canopy height	mm (ft-in)	1707 (5-7)	1600 (5-3)
Cab/canopy height with FOGS guard LEVEL 1	mm (ft-in)	1776 (5-9¾)	1600 (5-3)
Cab/canopy height with FOGS guard LEVEL 2	mm (ft-in)	1808 (5-11)	1600 (5-3)
Cab/canopy length	mm (ft-in)	1510 (4-11)	1405 (4-7)
Cab/canopy width	mm (ft-in)	960 (3-2)	945 (3-1)
Distance from seat base to roof	mm (ft-in)	1130 (3-8)	
Door aperture width	mm (ft-in)	735 (2-5)	

**SERVICE CAPACITIES**

Fuel tank	litres (US gal)	103 (27.3)
Engine coolant	litres (US gal)	14.2 (3.8)
Engine oil	litres (US gal)	6.8 (1.49)
Hydraulic system	litres (US gal)	105 (27.7)
Hydraulic tank	litres (US gal)	59.9 (15.8)



**WORKING RANGE**

Boom length	mm (ft-in)	2875 (9-5)
Dipper length	mm (ft-in)	2000 (6-7)
A Max digging reach	mm (ft-in)	6887 (22-7)
B Max digging reach on ground	mm (ft-in)	6729 (22-1)
C Max digging depth – dozer up	mm (ft-in)	4195 (13-9)
C Max digging depth – dozer down	mm (ft-in)	4345 (14-3)
D Max digging height	mm (ft-in)	6312 (20-9)
E Max dump height	mm (ft-in)	4580 (15-0)
F Max height to dipper nose pivot pin	mm (ft-in)	5391 (17-8)
G Max vertical wallcut depth	mm (ft-in)	2668 (8-9)
H Min. front swing radius (no offset)	mm (ft-in)	2862 (9-5)
H Min. front swing radius (fully offset)	mm (ft-in)	2358 (7-9)
I Boom swing left	degrees	60
J Boom swing right	degrees	57
Bucket rotation	degrees	197
Dipper rotation	degrees	119
Bucket tearout	kN (lbf)	50 (11240)
Dipper tearout	kN (lbf)	36 (8093)
Slew speed	rpm	9

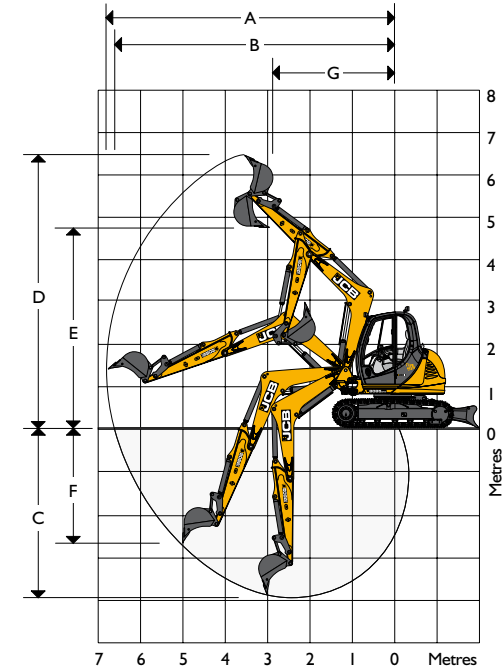
**STANDARD EQUIPMENT**

Fully glazed cab with laminated front up-and-over opening window with integral lower window storage (conforms to EN474);, speakers and aerial; intermittent wiper; courtesy light; automatic idle; electronic throttle control; single acting hi flow auxiliary; cab and boom worklights; coolbox; cup holder; two speed track motors; joystick mounted hammer switch; suspension seat; undercarriage belly guards; cab handrail; quickhitch electrics; cold start pre-heat; double element air cleaner; heavy-duty alternator; heavy-duty battery; cab and engine soundproofing; cab heater and screen demister; tinted glass; coat hook; 12v accessory socket; removable floormat with floor access plate below; cab side service access into valve block; windscreen wash wipe; plug in power socket; one-touch engine speed control; dozer blade.

**OPTIONAL EQUIPMENT**

FOPS guard stage 1 or 2; air-conditioned cab; track and dozer options; fan guard; battery isolator (standard for EU); radio with aux line in; low flow auxiliary; electronic proportional auxiliary controls; bucket-to-grab change over valves; double acting hi flow auxiliary; mechanical quickhitch; hydraulic quickhitch; tipping link mounted lifting point; general purpose buckets; ditch/grading buckets; hydraulic hammers; rotating beacon; electric refuelling pump; hose burst check valves (either 1 x boom and 1 x dozer or 1 x boom, 1 x dozer and 1 x dipper); headrest; deluxe high backed seat and deluxe high backed air-suspension seat options; special paint options.

**WORKING RANGE**



**EEC NOISE LEVELS (95/27/EC DYNAMIC)**

Cab / canopy external	dB (LwA)	98
Cab internal	dB (LpA)	73

**DOZER BLADE – 450mm**

Max height (above ground)	mm (ft-in)	463 (1-6¼)
Dig depth (below ground)	mm (ft-in)	403 (1-3¾)
Approach angle	degrees	23
Width	mm (ft-in)	2320 (7-7¼)
Height	mm (ft-in)	514 (1-8¼)
Reach in front of tracks	mm (ft-in)	632 (2-1)



**OPTIONAL WIDE DOZER BLADE – 600mm TRACKS**

Max height (above ground)	mm (ft-in)	463 (1-6¼)
Dig depth (below ground)	mm (ft-in)	403 (1-3¼)
Approach angle	degrees	23
Width	mm (ft-in)	2470 (8-1¼)
Height	mm (ft-in)	514 (1-8¼)
Reach in front of tracks	mm (ft-in)	632 (2-1)

**OPTIONAL NARROW DOZER BLADE – OFFSET TRACKS**

Max height (above ground)	mm (ft-in)	463 (1-6¼)
Dig depth (below ground)	mm (ft-in)	403 (1-3¼)
Approach angle	degrees	23
Width	mm (ft-in)	2220 (7-3½)
Height	mm (ft-in)	514 (1-8¼)
Reach in front of tracks	mm (ft-in)	632 (2-1)

**LIFT CAPACITIES – 8085 ZTS 450mm Rubber Tracks, No bucket, 2000 mm Dipper**

Load Point	2.5m (8ft 2in)			3.0m (9ft 10in)			3.5m (11ft 6 in)			4m (13ft 1 in)			4.5m (14ft 9in)			5m (16ft 5in)			5.5m (18ft 1in)			Capacity at max. reach						
	Dozer up	Dozer down	Dozer up	Dozer up	Dozer down	Dozer up	Dozer up	Dozer down	Dozer up	Dozer up	Dozer down	Dozer up	Dozer up	Dozer down	Dozer up	Dozer up	Dozer down	Dozer up	Dozer up	Dozer down	Dozer up	Dozer up	Dozer down	Dozer up				
Height	kg	kg	kg	kg	kg	kg	kg	kg	kg	kg	kg	kg	kg	kg	kg	kg	kg	kg	kg	kg	kg	kg	kg	kg	kg	m (ft-in)		
3.5 (11-6)													1262	1331	1392	1340	1436	1125*						1110*	1523	1005*	5.3 m	
3 (9-10)										1331	1375	1383	1392	1488	1444	1208*	1505	1058*	990*	1575	915*	990*	1575	915*	1575	915*	5.5 m	
2.5 (8-2)							1044	1557	1601	1514	1601	1566	1496	1601	1462	1170*	1636	1073*	1028*	1636	923*	990*	1679	863*	1679	863*	5.6 m	
2 (6-7)				2540	2297	2393	1931	2036	2062	1705	1853	1508*	1549	1757	1275*	1170*	1697	1043*	990*	1688	900*	945*	1688	840*	1688	840*	5.75 m	
1.5 (4-11)				2784	2984	2085*	2262	2462	1635*	1590*	2158	1403*	1343*	1958	1178*	1170*	1853	1005*	983*	1792	863*	900*	1766	795*	1766	795*	5.75 m	
1 (3-3)				2340*	3611	1898*	1883*	2871	1620*	1560*	2419	1365*	1320*	2158	1133*	1148*	2001	983*	960*	1897	848*	900	1836	818*	1836	818*	5.75 m	
0.5 (1-8)	1700*	4968	2325*	2295*	4176	1875*	1830*	3341	1605*	1538*	2706	1298*	1268*	2349	1088*	1103*	2166	945*	960*	1975	833*	908*	1905	803*	1905	803*	5.75 m	
Ground Level	2730*	5203	2250*	2288*	4489	1853*	1770*	3497	1515*	1545*	2993	1293*	1268*	2540	1103*	1095*	2262	953*	953*	2027	833*	923*	1992	810*	1992	810*	5.6 m	
-0.5 -(1-8)	2678*	5481	2325*	2213*	5407	1860*	1748*	3698	1508*	1455*	3071	1268*	1268*	2636	1080*	1095*	2366	953*					998*	2071	855*	2071	855*	5.4 m
-1 -(3-3)	2873*	5742	2348*	2258*	5681	1883*	1755*	3680	1500*	1485*	3106	1275*	1230*	2680	1095*	1080*	2262	953*					1035*	2123	930*	2123	930*	5.2 m

Lift capacity front and rear.

Lift capacity full circle.

- Notes:**
- Lifting capacities are based on ISO 10567, that is: 75% of minimum tipping load or 87% of hydraulic lift capacity, whichever is the less. Lifting capacities marked\* are based on hydraulic capacity.
  - Lift capacities assume that the machine is on firm, level ground and equipped with an approved lifting point.
  - A bucket must be fitted when lifting, the weight of this bucket must be deducted from the above lift capacities.
  - Lift capacities may be limited by local regulations. Please refer to your dealer.

